

ZENO-T BOLLARD

Zeno-T Bollard fixture has :

- Luminaire housing of Aluminium
- IP66, High Ingress Protection against dust & moisture
- Flicker free operation for eye protection
- Energy-efficient LED with high colour rendering
- The built quality ensures long and maintenance free service life
- Optimum for every outdoor space including society parks, streets, educational institutes, and pathways
- Garden & pathway luminaires create pleasant light distribution with a high degree of visual comfort
- LED bollards, designed to provide radially symmetric light emission
- Sustainable LED technology offers durability and optimal light output with low power consumption

Quick Info

CRI \geq 80/90

2700K, 3000K, 4000K

Up to 80 lm/W

Non-Dimmable/ Dali-Dimmable

SDCM $<$ 3

Clear Glass

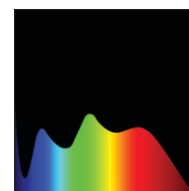
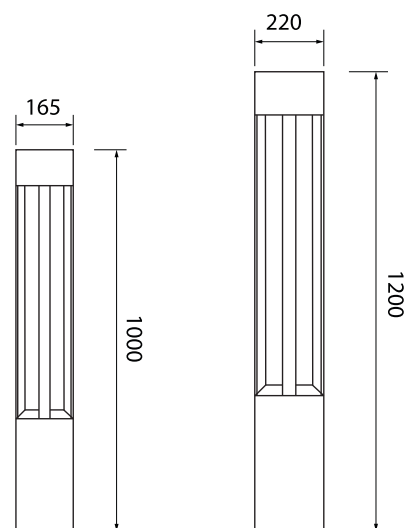
L70 @50,000h

Aluminium Die-Cast

Types

Surface

Single Line Diagram



CRI \geq 80/90

ZENO-T BOLLARD



Product Order Code	System Power	Dimensions
1861	12W	Dia=165mm H=1000mm
1862	24W	Dia=220mm H=1200mm

Order Options

CCT (Colour Temperature)

2700K

3000K

4000K

CRI

>80

>90

Beam Angle

N.A

Control

Non-Dimmable



Dali-Dimmable



Mounting Type

Surface

Material Colour

Grey

